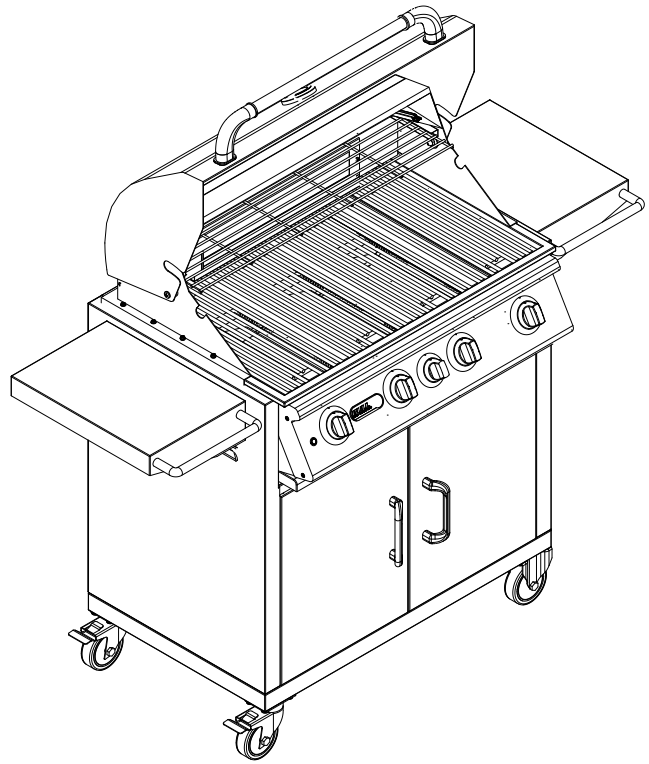
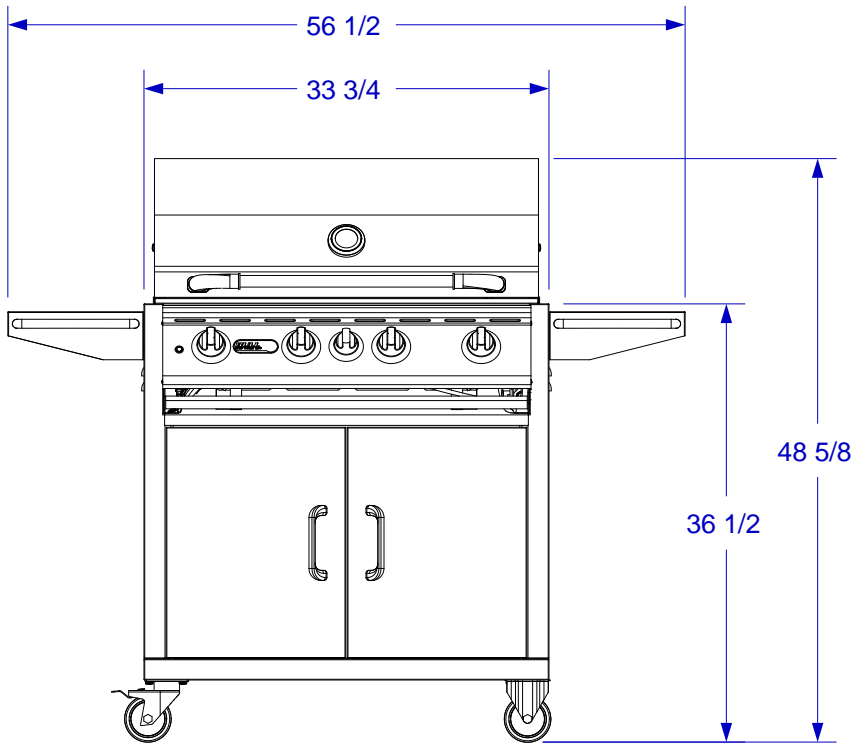




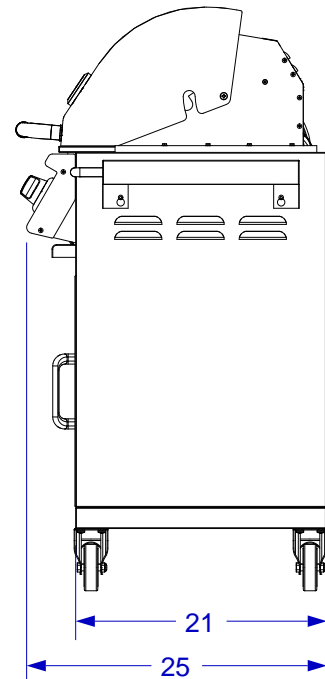
# ANGUS CART SPEC SHEET



ISOMETRIC VIEW



FRONT VIEW



RIGHT SIDE VIEW

- NOTES:
1. SCALE: 3/4" = 1'-0"
  2. REVISION: 07/2013